



NovaVENT®

Dimensional Data

NovaVENT®

UL1738 & ULC-S636 Listed SS Gas Vent

NovaVENT® Single Wall

Eccentric Increaser	1
Horizontal Drain Pipe	1
Vertical Drain Tee with Cap	2
Vertical / Horizontal Drain Pipe	2
Pipe	3
Adjustable Pipe	3
Pipe with Inspection Port	4
45° Elbow	4
90° Elbow	5
Weather Rain Cap	5
Termination Tee	6
Wall Termination Box	6
Termination Hood	7
Termination Coupling	7
Wall Thimble	8
Wall Trim Ring	9
(Wall) Support Strap	9

Z-VENT® Single Wall & Double Wall

Flashing Flat	10
Flashing 0-30°	10
Flashing 30-40°	11
Storm Collar (Top Support)	11
Guy Band	12
Firestop	12
Firestop Support	13
Wall (Vent) Support	13
Floor Base Support	14
Base (Wall) Support	14
Clamp Band Support	15
Vertical Rise Support	15

NovaVENT® Warranty	16
---------------------------	----

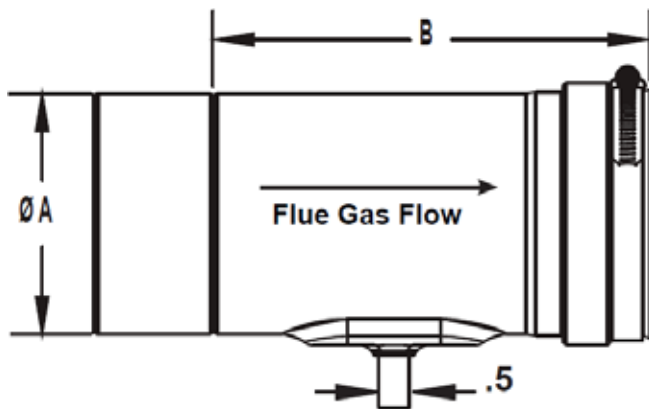
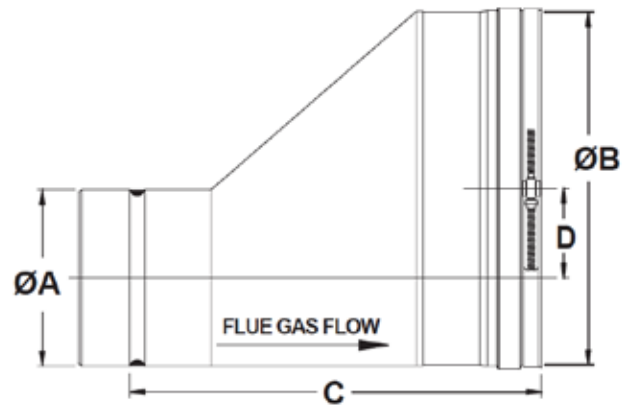
Z-Vent parts included in this document are common to NovaVent.

NovaVENT® Single Wall

Eccentric Increaser

A	B	C	D	Part Number	Description
3	4	9.25	0.50	2NV1314	NovaVent Eccentric Increaser 3 to 4 in
3	5		1.00	2NV1315	NovaVent Eccentric Increaser 3 to 5 in
4	5	10.75	0.50	2NV1415	NovaVent Eccentric Increaser 4 to 5 in

Used to upsize a vent system



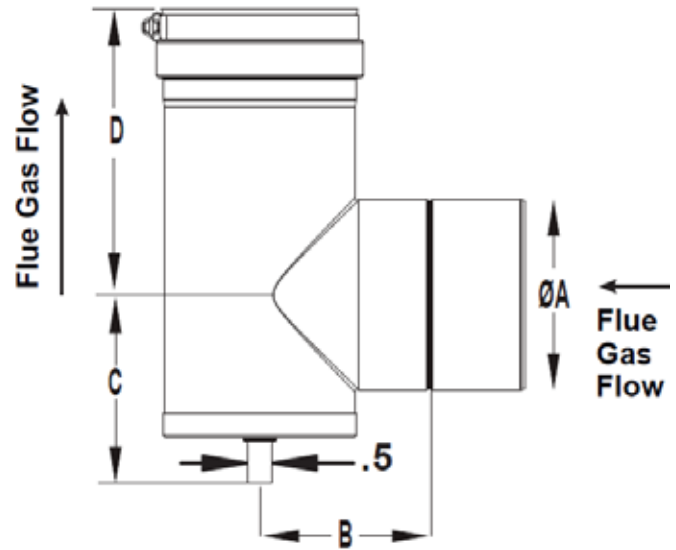
Horizontal Drain Pipe

A	B	Part Number	Description
3	7.25	2NVHD3	NovaVent Drain Pipe Horizontal 3 in
4	7.25	2NVHD4	NovaVent Drain Pipe Horizontal 4 in
5	7.25	2NVHD5	NovaVent Drain Pipe Horizontal 5 in

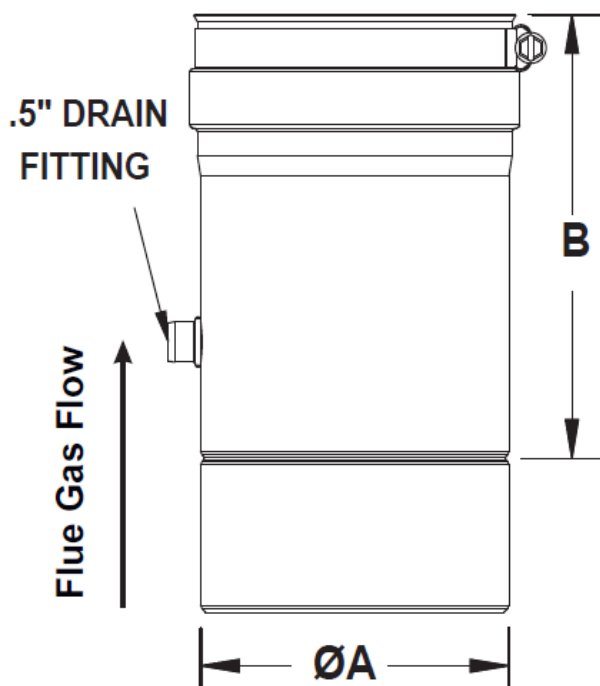
Single Wall NovaVENT®

Vertical Drain Tee with Cap

A	B	C	D	Part Number	Description
3	3	3.5	6.25	2NVVDT3	NovaVent Vertical Drain Tee w/Cap 3 in
4	3.5	4.0	6.25	2NVVDT4	NovaVent Vertical Drain Tee w/Cap 4 in
5	4.5	4.5	6.75	2NVVDT5	NovaVent Vertical Drain Tee w/Cap 5 in



Used to drain condensate from the Vent system. High temperature Drain Tube kit sold separately.



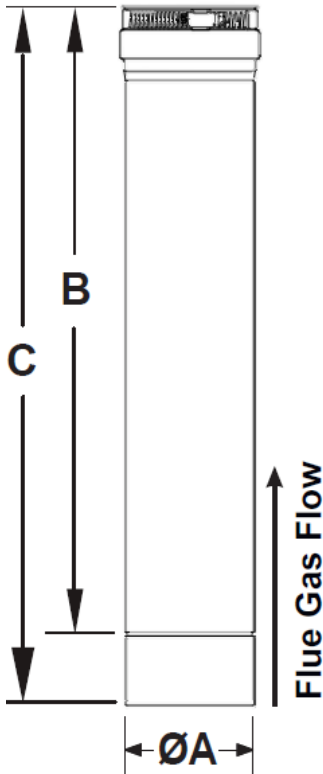
Vertical / Horizontal Drain Pipe

A	B	Part Number	Description
3	5.75	2NVVD3	NovaVent Vertical/Horizontal Drain Pipe 3"
4	5.75	2NVVD4	NovaVent Vertical/Horizontal Drain Pipe 4"
5	5.75	2NVVD5	NovaVent Vertical/Horizontal Drain Pipe 5"

NovaVENT® Single Wall

Available in diameters 3in to 5in and standard lengths up to 5ft (3in and 4in diameter only). Pipe can be cut to length. The female end of each **NovaVent®** component incorporates a *Double Fail Safe™* self sealing gasket. Examine all components to ensure that gasket integrity has remained during shipping. Gaskets must be in proper position or flue gases could leak resulting in carbon monoxide poisoning. The installation shall be in accordance with the manufacturer's installation instructions.

Pipe



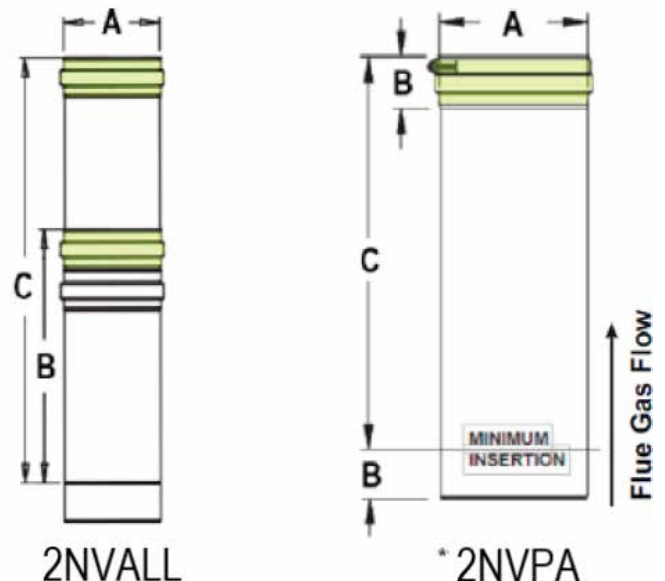
A	B	C	Part Number	Description
3in	3.75	5.75	2NVP3.5	NovaVent Pipe 3in x 6in
	9.75	11.75	2NVP31	NovaVent Pipe 3in x 1 ft
	15.75	17.75	2NVP31.5	NovaVent Pipe 3in x 1.5ft
	21.75	23.75	2NVP32	NovaVent Pipe 3in x 2ft
	33.75	35.75	2NVP33	NovaVent Pipe 3in x 3ft
	45.75	47.75	2NVP34	NovaVent Pipe 3in x 4ft
	57.75	59.75	2NVP35	NovaVent Pipe 3in x 5ft
4in	3.75	5.75	2NVP4.5	NovaVent Pipe 4in x 6in
	9.75	11.75	2NVP41	NovaVent Pipe 4in x 1 ft
	15.75	17.75	2NVP41.5	NovaVent Pipe 4in x 1.5ft
	21.75	23.75	2NVP42	NovaVent Pipe 4in x 2ft
	33.75	35.75	2NVP43	NovaVent Pipe 4in x 3ft
	45.75	47.75	2NVP44	NovaVent Pipe 4in x 4ft
	57.75	59.75	2NVP45	NovaVent Pipe 4in x 5ft
5in	3.75	5.75	2NVP5.5	NovaVent Pipe 5in x 6in
	9.75	11.75	2NVP51	NovaVent Pipe 5in x 1 ft
	15.75	17.75	2NVP51.5	NovaVent Pipe 5in x 1.5ft
	21.75	23.75	2NVP52	NovaVent Pipe 5in x 2ft
	33.75	35.75	2NVP53	NovaVent Pipe 5in x 3ft
	45.75	47.75	2NVP54	NovaVent Pipe 5in x 4ft

Adjustable Pipe

The use of adjustable pipe may be required when the system must be located within extremely tight installation parameters.

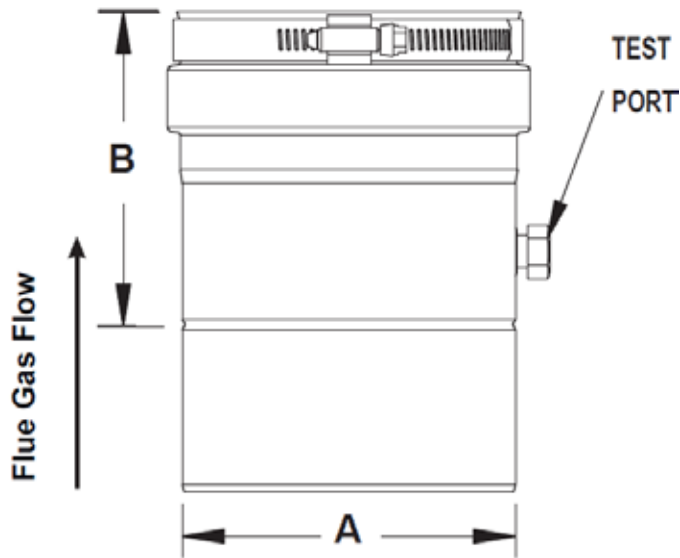
IMPORTANT: *Adjustable pipe can only be used with an adjacent pipe. Minimum 18" Long adjacent pipe required for full adjustment range. Not to be inserted into fittings.

A	B	C	Part Number	Description
3	13	21.9	2NVALL3	NovaVent Adjustable Pipe 3 in
4	13	21.9	2NVALL4	NovaVent Adjustable Pipe 4 in
5	2*	15.75	2NVPA5	NovaVent Adjustable Pipe 5 in



Single Wall NovaVENT®

Vent length with test port allows easy access for flue gas analysis.



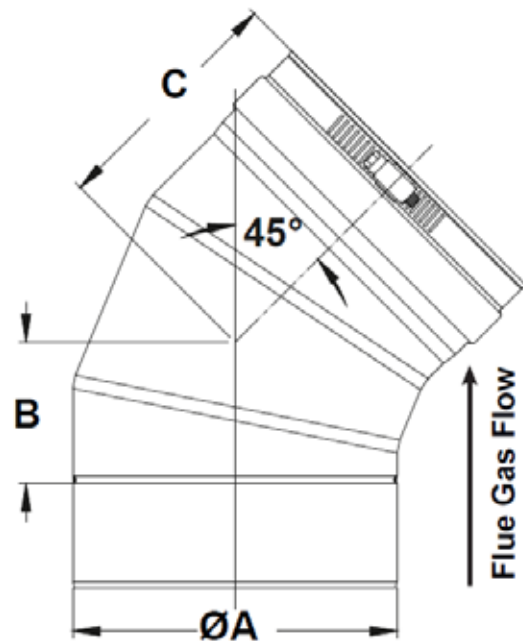
Pipe with Inspection Port

A	B	Part Number	Description
3	3.75	2NVTP3	NovaVent Inspection Port Pipe 3 in
4	3.75	2NVTP4	NovaVent Inspection Port Pipe 4 in
5	3.75	2NVTP5	NovaVent Inspection Port Pipe 5 in

45° Elbows

A	B	C	Part Number	Description
3	1.62	3.37	2NVE345	NovaVent Elbow 45° X 3 in
4	1.83	3.58	2NVE445	NovaVent Elbow 45° X 4 in
5	4.16	5.91	2NVE545	NovaVent Elbow 45° X 5 in

45° elbow is used when a direction change or offset is required.

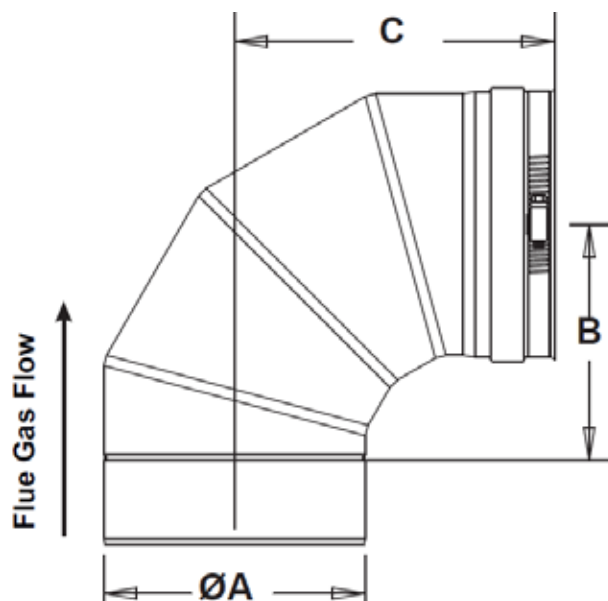


NovaVENT® Single Wall

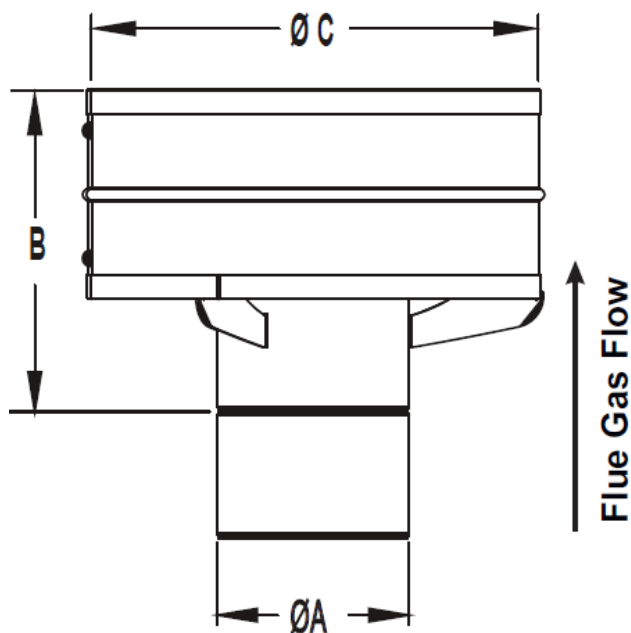
90° Elbows

A	B	C	Part Number	Description
3	4.72	6.18	2NVE390	NovaVent Elbow 90° X 3 in
4	5.22	6.66	2NVE490	NovaVent Elbow 90° X 4 in
5	6.63	8.32	2NVE590	NovaVent Elbow 90° X 5 in

90° elbow is used when a direction change or offset is required.



Rain cap is designed to terminate a vertical stack and prevent the entrance of debris or rain into the vent.



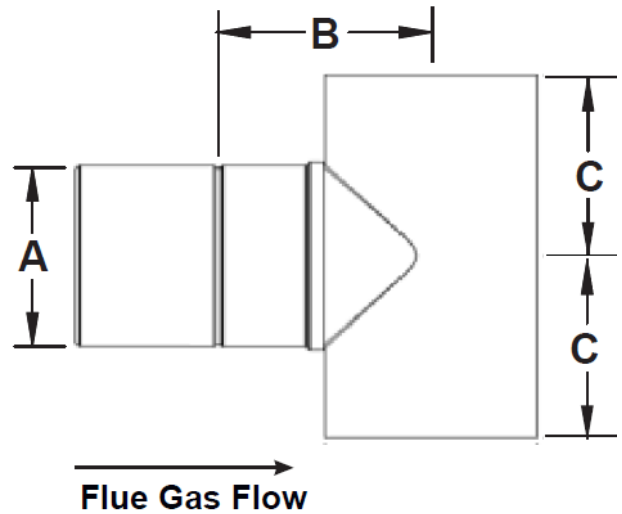
Extreme Weather Rain Cap

A	B	C	Part Number	Description
3	5	7	2NVWC3	NovaVent Extreme Weather Rain Cap 3 in
4	5	8	2NVWC4	NovaVent Extreme Weather Rain Cap 4 in
5	5	9	2NVWC5	NovaVent Extreme Weather Rain Cap 5 in

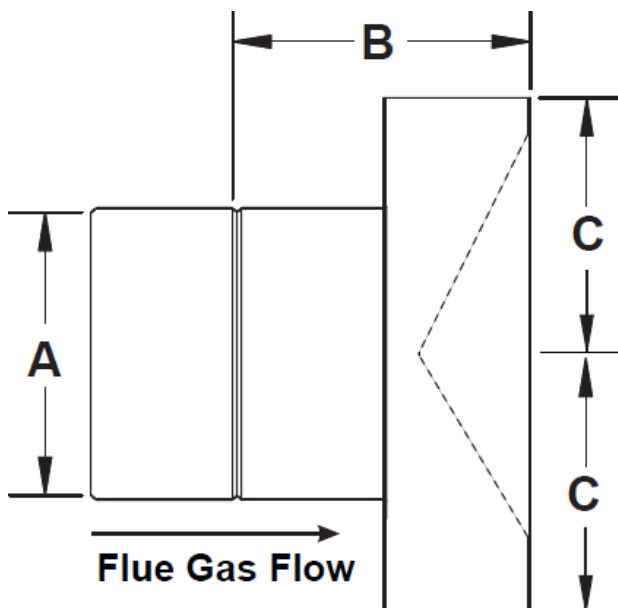
Single Wall NovaVENT®

Termination Tee

A	B	C	Part Number	Description
3	3.05	3	2NVTT3	NovaVent Termination Tee 3 in
4	2.75	3.5	2NVTT4	NovaVent Termination Tee 4 in
5	4.5	6.94	2NVTT5	NovaVent Termination Tee 5 in



A wall termination is used to terminate a horizontal vent. The special design resists winds from affecting flue gas flow.



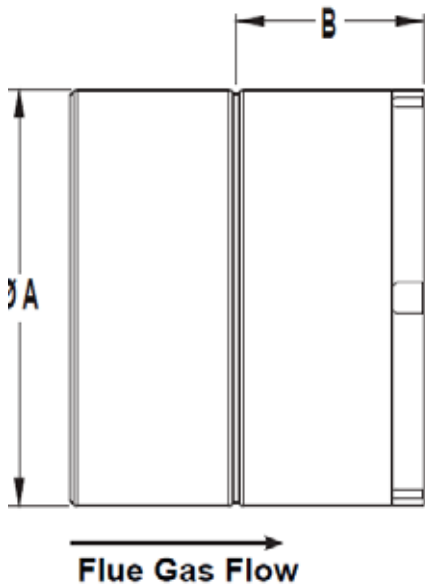
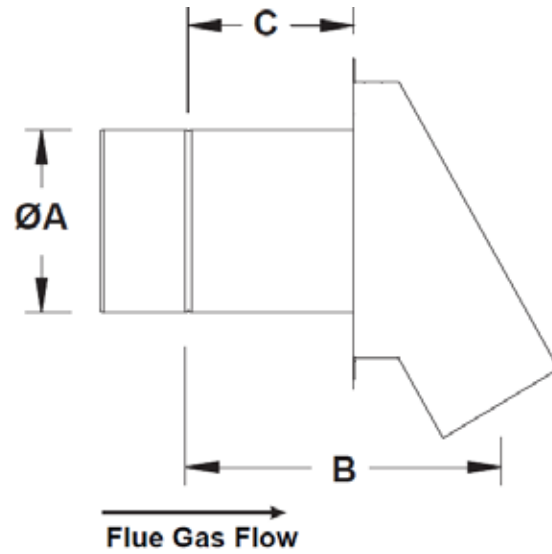
Wall Termination Box

A	B	C	Part Number	Description
3	3	2.5	2NVTB3	NovaVent Termination Box 3 in
4	3	3	2NVTB4	NovaVent Termination Box 4 in
5	3.07	3.5	2NVTB5	NovaVent Termination Box 5 in

NovaVENT® Single Wall

Termination Hood

A	B	C	Part Number	Description
3	6.75	3.75	2NVTH3	NovaVent Termination Hood 3 in
4	7.125	3.75	2NVTH4	NovaVent Termination Hood 4 in
5	7.375	3.75	2NVTH5	NovaVent Termination Hood 5 in



Termination Coupling

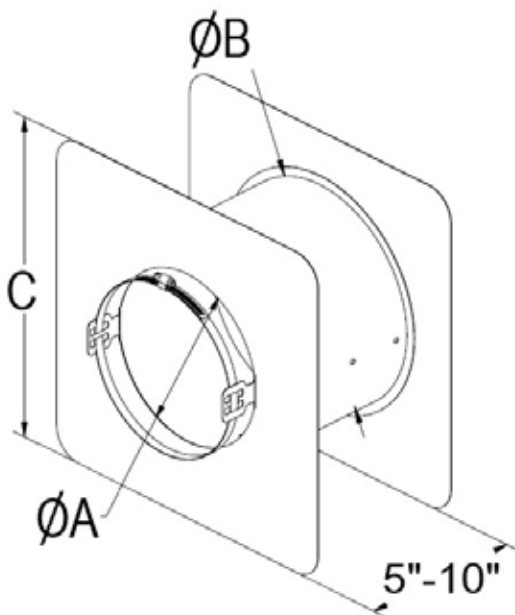
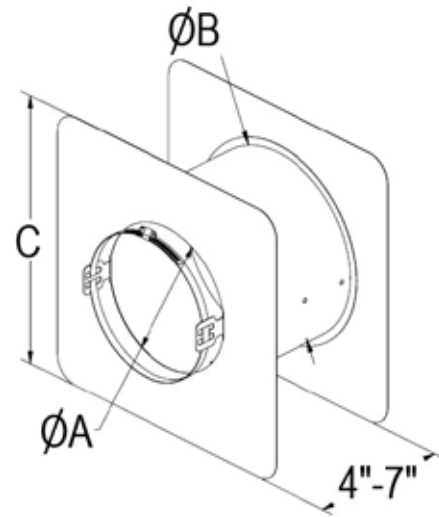
A	B	Part Number	Description
3	2	2NVTC3	NovaVent Coupling Termination 3 in
4	2	2NVTC4	NovaVent Coupling Termination 4 in
5	2	2NVTC5	NovaVent Coupling Termination 5 in

Single Wall NovaVENT®

Wall Thimble

A Inlet Dia	A Outlet Dia	B Thimble Dia	C Sq. plate	Part Number	Description
3.63	3.13	5	10	2NVWT3	NovaVent 4-7 Wall Thimble 3
4.63	4.13	6	10	2NVWT4	NovaVent 4-7 Wall Thimble 4
5.63	5.13	7	12	2NVWT5	NovaVent 4-7 Wall Thimble 5

For use when the vent passes through a horizontal opening. Not required for non-combustible walls.



Wall Thimble

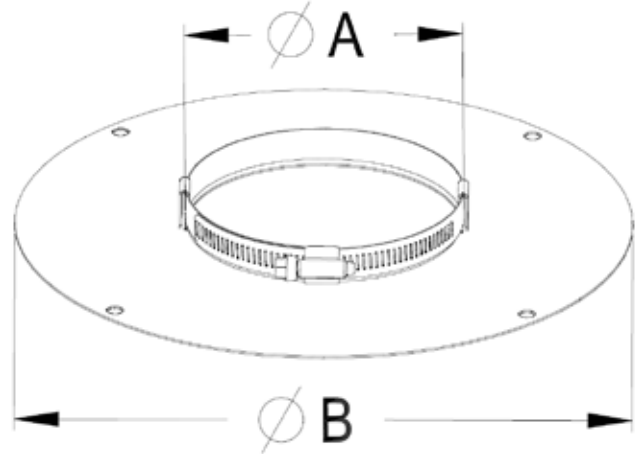
A Inlet Dia	A Outlet Dia	B Thimble Dia	C Sq. plate	Part Number	Description
3.63	3.13	5	10	2NVWT3L	NovaVent 5-10 Wall Thimble 3
4.63	4.13	6	10	2NVWT4L	NovaVent 5-10 Wall Thimble 4
5.63	5.13	7	12	2NVWT5L	NovaVent 5-10 Wall Thimble 5

NovaVENT® Single Wall

Wall Trim Ring

A	B	Part Number	Description
3	7.00	2NVTR3	NovaVent Wall Trim Ring 3
4	8.00	2NVTR4	NovaVent Wall Trim Ring 4
5	9.00	2NVTR5	NovaVent Wall Trim Ring 5

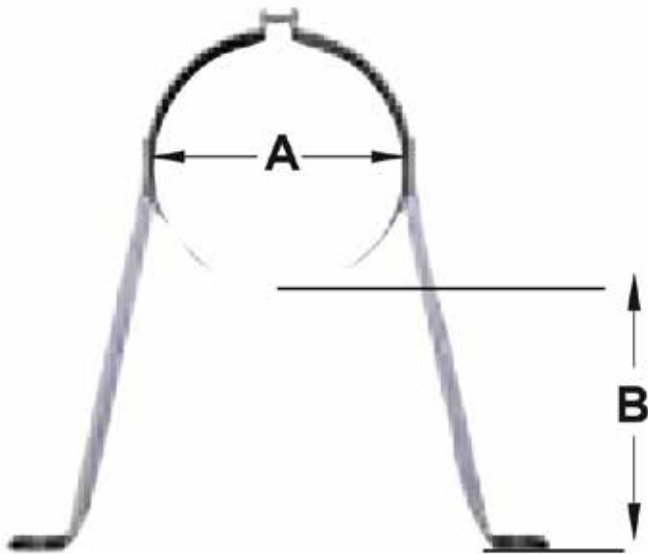
For use to finish a wall and provide weather protection. Apply field supplied sealant between vent pipe outside diameter/trim ring inside diameter and wall/trim ring outside diameter.



NovaVent(wall) support strap is used to provide support to the vent system while maintaining 1" clearance to combustible materials. Can be used on horizontal and vertical runs

(Wall) Support w/1" Clearance

A	B	Part Number	Description
3	1	2NVSS31	NovaVent Support Strap 3
4	1	2NVSS41	NovaVent Support Strap 4
5	1	2NVSS51	NovaVent Support Strap 5

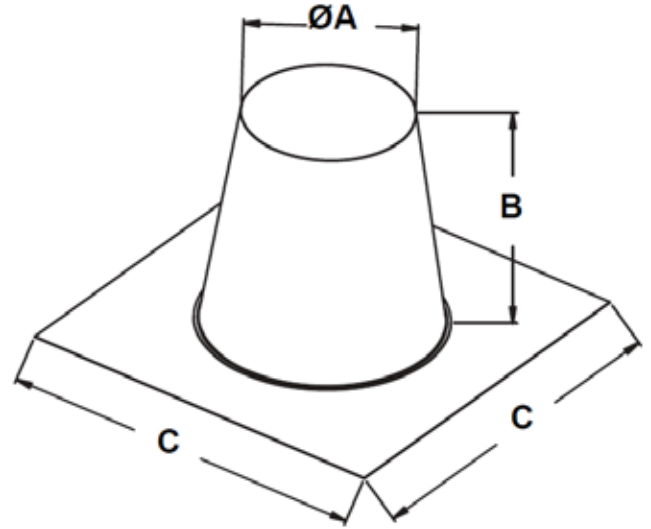


Single Wall & Double Wall Z-Vent®

Flashing Flat

A	B	C	Part Number	Description
3	12	12.50	2SVSF03	NovaVent Flashing Flat 3SW
4	12	14.00	2SVSF04	NovaVent Flashing Flat 4SW
5	12	16.00	2SVSF05	NovaVent Flashing Flat 5SW 3DW

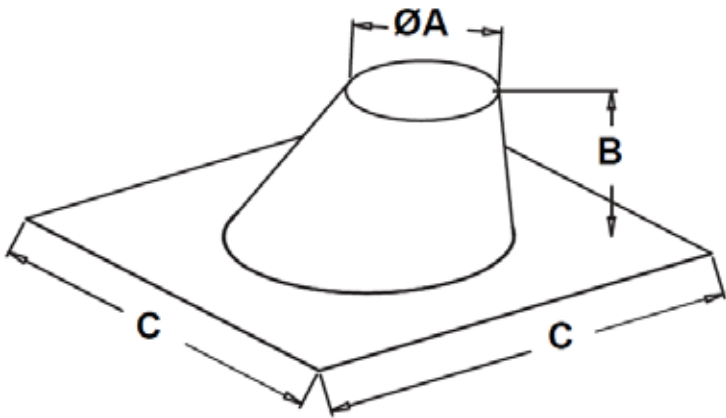
Flat flashing provides weather protection where the vent penetrates the roof or chimney. Use on flat or slightly sloped (5° slope maximum) roofs.



0° - 30° flashing provides weather protection where the vent penetrates the roof. Use on roofs with a pitch from 0° - 30°- 0/12 - 5/12 slope.

Flashing 0-30°

A	B	C	Part Number	Description
3	6	16.00	2SVSADJ(F)03	NovaVent Flashing 0-30° 3SW
4	6	16.00	2SVSADJ(F)04	NovaVent Flashing 0-30° 4SW
5	6	16.00	2SVSFA05	NovaVent Flashing 0-30° 5SW 3DW

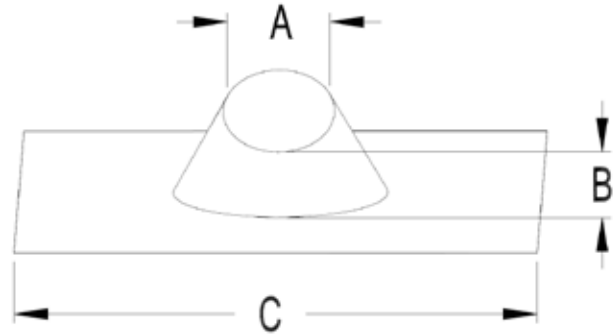


Z-Vent® Single Wall & Double Wall

Flashing 30-45°

A	B	Part Number	Description
3	6	2SVSADJS(F)03	NovaVent Flashing 0-30° 3SW
4	6	2SVSADJS(F)04	NovaVent Flashing 0-30°4SWv

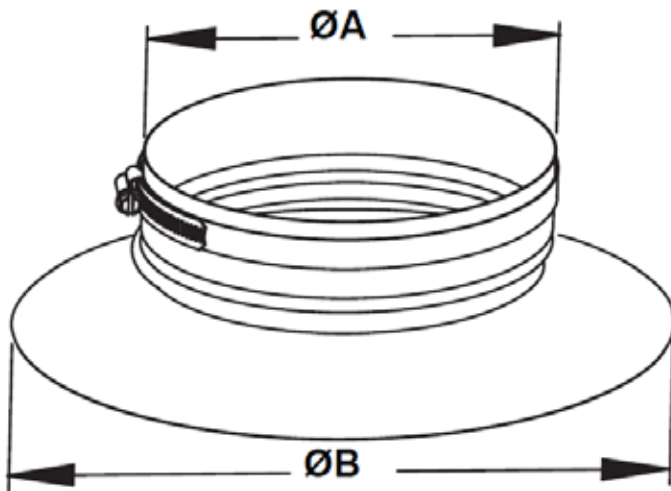
30° - 45° flashing provides weather protection where the vent penetrates the roof. Use on roofs with a pitch from 30° - 45° - 7/12 - 12/12 slope.



For use in conjunction with flashing to provide weather protection. Apply field supplied sealant between vent pipe outside diameter and storm collar inside diameter.

Storm Collar (Top Support)

A	B	Part Number	Description
3	7.00	2SVSLS(F,X)03	NovaVent Storm Collar 3SW
4	8.00	2SVSLS(F,X)04	NovaVent Storm Collar 4SW
5	9.00	2SVSLS05	NovaVent Storm Collar 5SW 3DW

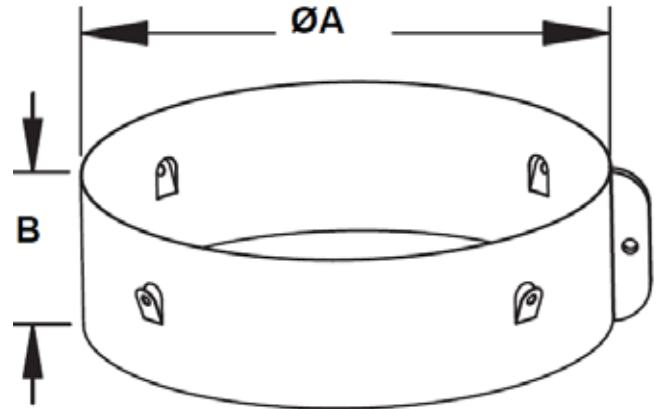


Single Wall & Double Wall Z-Vent®

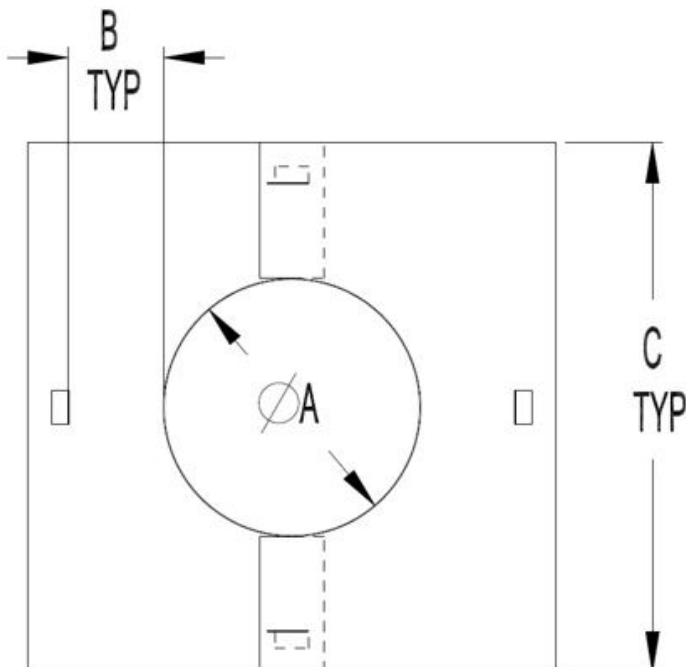
Guy Band

A	B	Part Number	Description
3	3.00	2SVSGB03	NovaVent Guy Band 3SW
4	3.00	2SVSGB04	NovaVent Guy Band 4SW
5	3.00	2SVSGB05	NovaVent Guy Band 5SW 3DW

A guy band is used to stabilize the vent above the roof line or where a vent support can not be used. Secure with 4 guy wires (not included).



A firestop is used on vertical systems to provide firestop or firestop/support and maintain the necessary clearance to combustible materials.



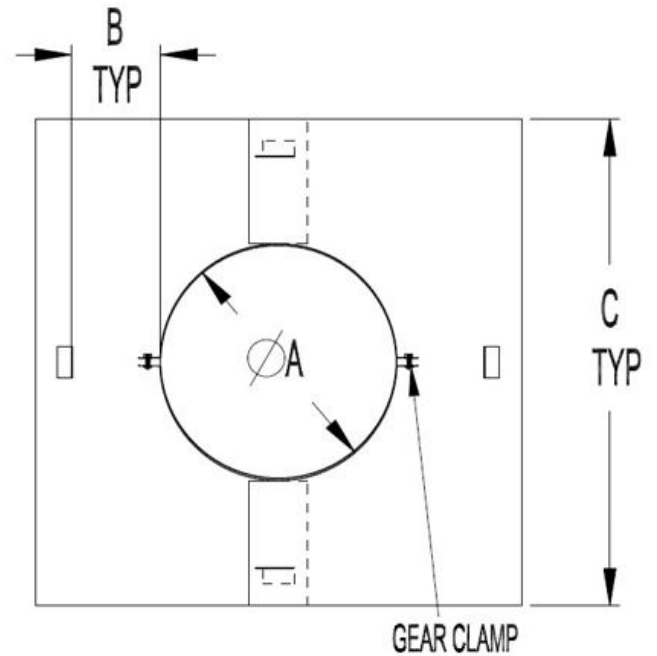
Firestop

A	B	C	Part Number	Description
3.1	4	16	2ZVFS03	NovaVent Firestop 2 Piece 3SW
4.1	4	17	2ZVFS04	NovaVent Firestop 2 Piece 4SW
5.1	4	18	2ZVFS05	NovaVent Firestop 2 Piece 5SW 3DW

Z-Vent[®] Single Wall & Double Wall

Firestop Support

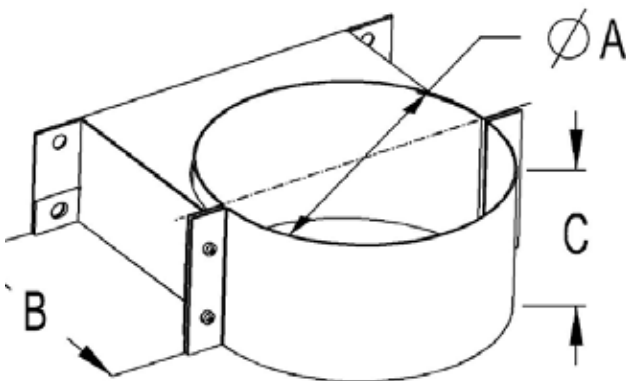
A	B	C	Part Number	Description
3.1	4	16	2ZVFSS03	NovaVent Firestop Support 2 Piece 3SW
4.1	4	17	2ZVFSS04	NovaVent Firestop Support 2 Piece 4SW
5.1	4	18	2ZVFSS05	NovaVent Firestop Support 2 Piece 5SW 3DW



NovaVent wall (vent) support is used to provide support to the vent system while maintaining proper clearance to combustible materials.

Wall (Vent) Support

A	B	C	Part Number	Description
5	4.5	3	2SVSWS05	NovaVent Single Wall Support 5SW 3DW

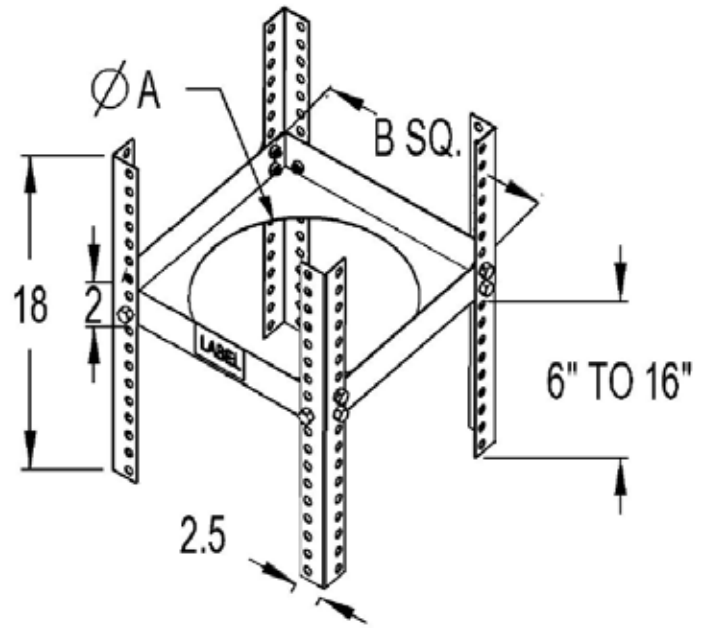


Single Wall & Double Wall Z-Vent®

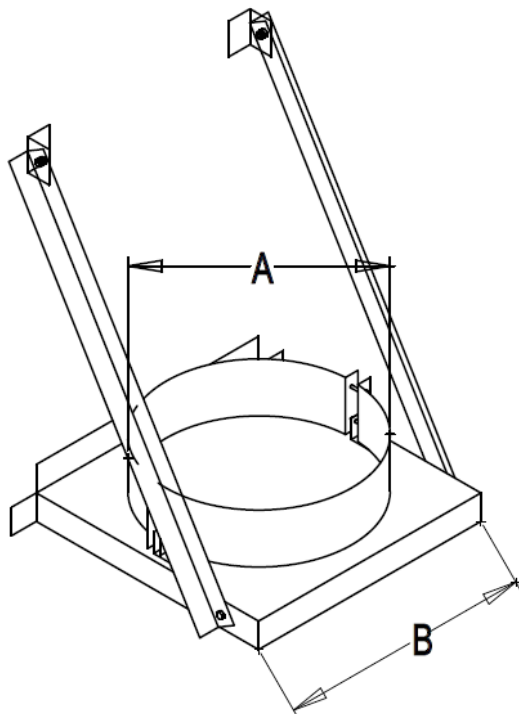
Floor Base Support

Part Number	A	B	Description
2SVSFB505	4	5.875	NovaVent Floor Base Support 5SW 3DW

MAXIMUM height is 16 inches (installer can extend on-site if needed). MINIMUM 6 inches (allowance for P-Trap tube)



Base supports are designed to support the vent base and maintain proper clearance to combustibles.



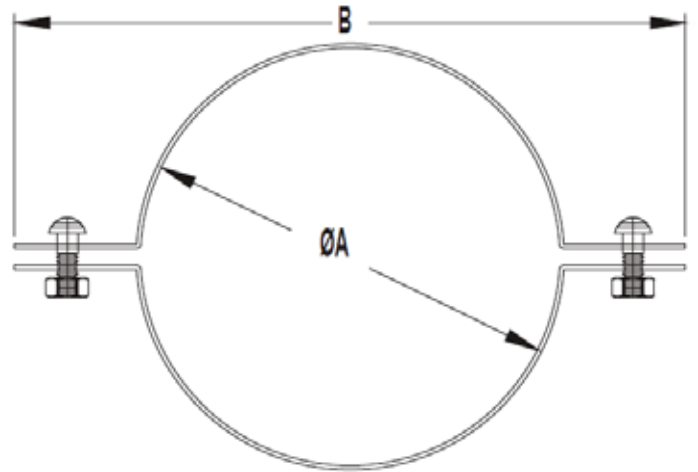
Base (Wall) Support

A	B	Part Number	Description
5	10.00	2SVSBS05	NovaVent Base Support 5SW 3DW

Z-Vent® Single Wall & Double Wall

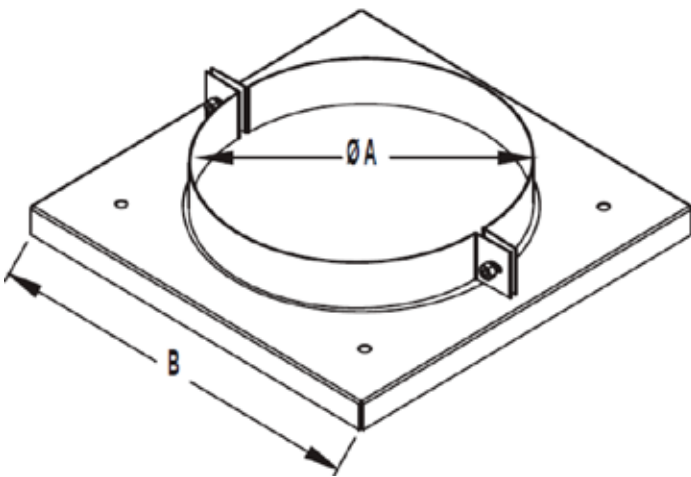
Clamp Band Support

A	B	Part Number	Description
5	8	2SVSCB05	NovaVent Clamp Band 5SW 3DW



Vertical Rise Support

A	B	Part Number	Description
5	9	2SVSVRS05V	NovaVent Vertical Rise Support 5SW 3DW



Z-FLEX® LIMITED WARRANTY

Z-FLEX® (“Seller”) extends the following LIMITED WARRANTY for
NovaVent® (the “NovaVent®”):

Seller warrants that at the time of purchase, the NovaVent® will be free of manufacturer’s defects in material and/or workmanship. This warranty shall extend to the original purchaser of the NovaVent® or, if purchased by a contractor, to the end user. This warranty is valid for a period of five (5) years from the date of purchase, provided that the NovaVent® has been installed according to Z-Flex® installation instructions. Deviating from the installation and use instructions included with the NovaVent® will void the warranty.

Under this Limited Warranty, Seller’s sole responsibility and liability shall be to replace the NovaVent® and/or accessories, if found by Seller to be defective according to the terms of the warranty, and shall not include replacement installation or other costs.

IMPORTANT: The NovaVent® is designed for use with Category I, II, III and IV furnace and boiler venting and should not be used with any other type of furnace and boiler venting. Use of the NovaVent® with any other type of furnace and boiler venting other than those recommended by Seller for use with its NovaVent® will void the warranty.

WARNING: CONDENSATION WITH HIGH ACID CONTENT MAY BE PRODUCED DUE TO UNFORESEEN CONDITIONS. YOUR HEATING APPLIANCE AND VENTING SYSTEM SHOULD BE INSPECTED BY A LICENSED CONTRACTOR ON AN ANNUAL BASIS FOR POSSIBLE SIGNS OF DETERIORATION DUE TO RUSTING OR PIN HOLES. CONDENSATION WITH HIGH ACID CONTENT MAY CAUSE LEAKAGE OF HARMFUL GASES WHICH CAN CAUSE NAUSEA, FAINTING OR DEATH. IF DETERIORATION IS DETECTED CEASE USE OF HEATING SYSTEM AND CALL FURNACE/BOILER INSTALLER FOR REMEDIAL ACTION.

To activate the warranty, the end-user must complete and return the Z-Flex® Warranty Registration Card within ninety (90) days of installation of the NovaVent®. Upon written notice of any defects, Z-Flex® reserves the right to examine or establish reasonable proof of defective material or workmanship justifying replacement.

NO OTHER EXPRESS WARRANTY HAS BEEN MADE OR WILL BE MADE ON BEHALF OF SELLER WITH RESPECT TO THE NOVAVENT® OR THE INSTALLATION OR REPLACEMENT OF THE NOVAVENT®. SELLER SHALL NOT BE LIABLE FOR ANY SPECIAL, INCIDENTAL, INDIRECT OR CON-SEQUENTIAL DAMAGES.

As some jurisdictions do not allow the exclusion or limitation of incidental or consequential damages, the above limitations or exclusions may not apply to you.

IMPLIED WARRANTIES, INCLUDING ANY WARRANTY OF MERCHANTABILITY OR FITNESS FOR A PARTICULAR PURPOSE, IMPOSED ON THIS SALE UNDER STATE LAW, ARE LIMITED TO THE PERIOD DURING WHICH THIS WARRANTY IS IN EFFECT. AS SOME JURISDICTIONS DO NOT ALLOW LIMITATIONS ON THE LENGTH OF AN IMPLIED WARRANTY, THE ABOVE LIMITATION MAY NOT APPLY TO YOU.

Claims under this Warranty must be made within the warranty period in writing and directed to: In **the USA;** Warranty Claims, Z-Flex®(US) Inc., 20 Commerce Park North, Bedford, New Hampshire 03110, (603) 669-5136 or (800) 654-5600.

In **Canada;** Warranty Claims, Z-Flex® Inc., 452 Attwell Drive, Etobicoke, Ontario, M9W 5C3, (416) 679-0045.

This Warranty gives you specific legal rights, and you may also have other rights that vary in different States and Provinces.



WARRANTY REGISTRATION CARD: Z-FLEX®

For this warranty to be effective, this card must be completed upon purchase of the covered NovaVent® and returned to Z-Flex® within ninety (90) days of installation of the NovaVent®.

Original end-user’s name: _____

Address of premises in which the NovaVent® is installed: _____

NovaVent® purchased from: _____

Date of Installation: _____

Type of Heating System into which NovaVent® installed: _____

I understand and agree to the Warranty as stated: _____

Signature

Date



20 Commerce Park North
Bedford, New Hampshire 03110-6911
tel: 603.669.5136 fax: 603.669.0309

452 Attwell Drive
Etobicoke, ON M9W 5C3
tel: 416.679.0045 fax: 416.679.0051

www.z-flex.com email sales@z-flex.com